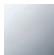



36 860 710



- 200mm projection
- fixed spout
- circular, air-enriched flow
- hole diameter spout 37 mm
- hole diameter single-lever mixer 57 mm
- rosette 78 x 78 mm
- max. flow 4.5 l/min
- lead-free
- This product can help a building meet the requirements of Green Building Rating Systems, e.g. LEED®, BREEAM®, DGNB

	Chrome	36 860 710-00 0010
	Brushed Platinum	36 860 710-06 0010

Required miscellaneous



- Concealed wall-mounted single-lever mixer -** 35 860 970-90 0010
- max. recess depth 95 mm
 - min. recess depth 80 mm
 - Rough can be rotated to position the lever on top or to the left of the spout.

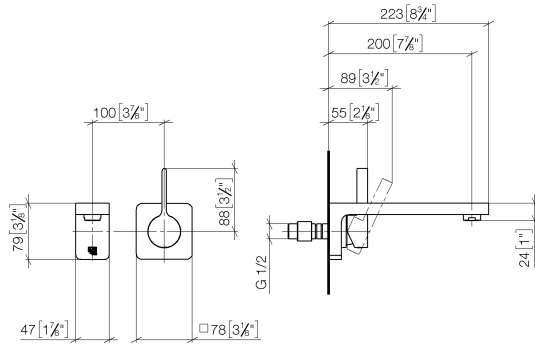


LULU Wall-mounted single-lever basin mixer without pop-up waste - Chrome

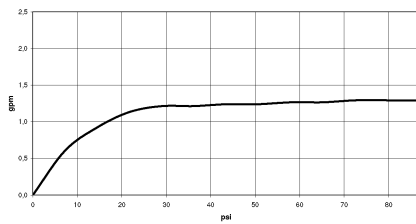
LULU

36 860 710

mm [inches]



Flow rate chart



Codes & Standards

ADA

ASME
A112.18.1/CSA
B125.1

California Energy
Commission
(CEC)

NSF/ANSI 372

NSF/ANSI/CAN
61

Water Sense





LULU Wall-mounted single-lever basin mixer without pop-up waste - Chrome

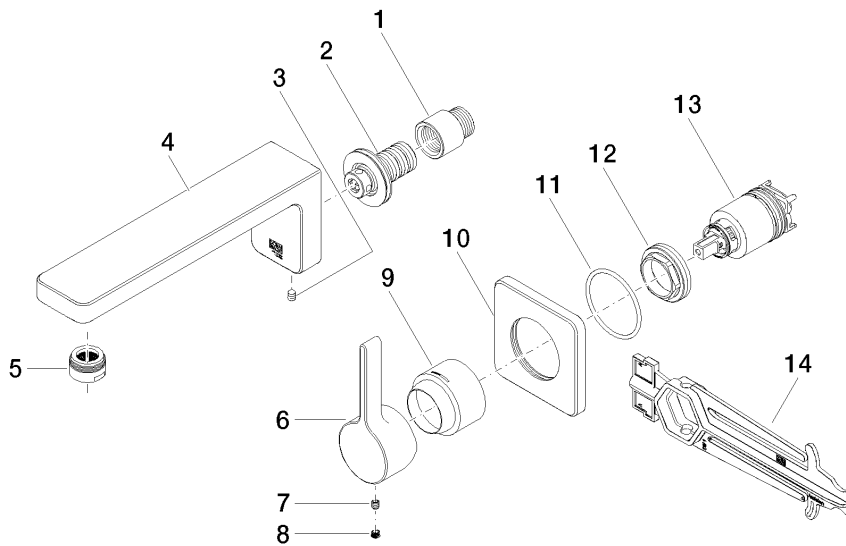
LULU

36 860 710

Certificates

IAPMO_N-4976 (2). IAPMO_8834 (2). IAPMO_6397 (2). IAPMO_4976 (1).

36 860 710



Spare parts list

No.	Item Number	Name	Quantity used	Delivery time
1	09 24 03 072 10 90	nipple	1	2
2	90 24 03 108 00 90	nipple set	1	2
3	90 31 11 004 00 90	pin	1	2
4	09 11 71 091-00	spout	1	10
5	90 23 01 118 04-00	aerator	1	10
6	09 20 71 001-00	handle	1	10
7	90 31 11 030 00 90	pin	1	2
8	90 31 20 109 00 90	plug	1	2
9	09 11 02 530-00	cover	1	10
10	09 27 71 001-00	rosette	1	10
11	90 14 10 049 00 90	seal	1	2
12	09 24 04 105 90	nut	1	2
13	90 15 05 064 01 90	cartridge	1	2
14	90 30 09 064 00 90	key	1	2